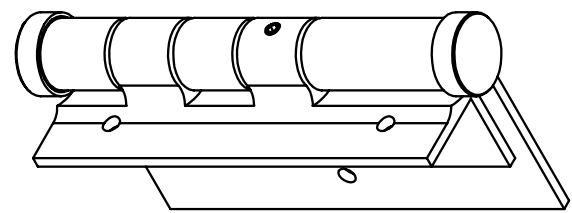
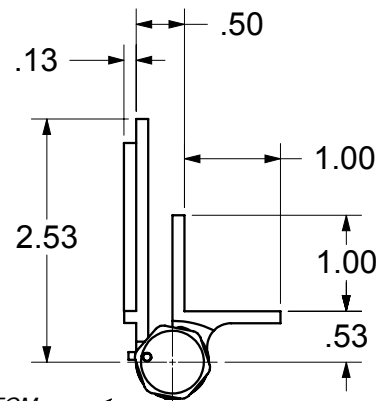
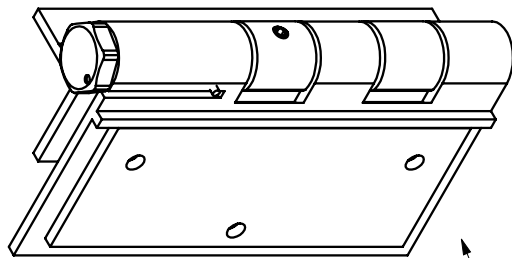
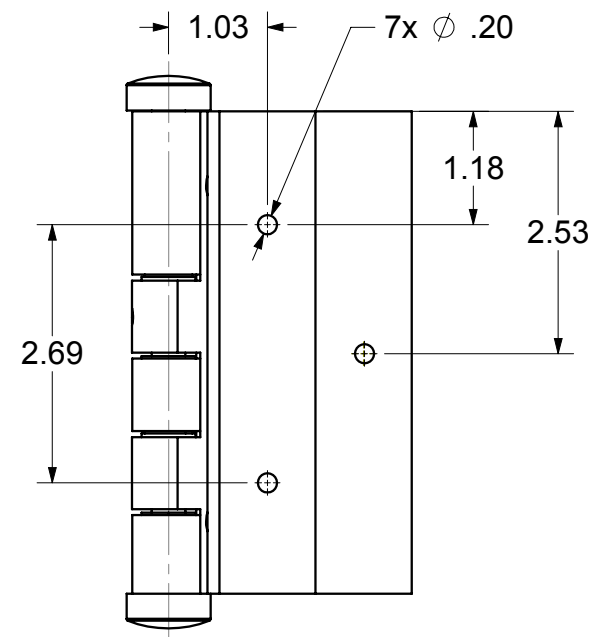
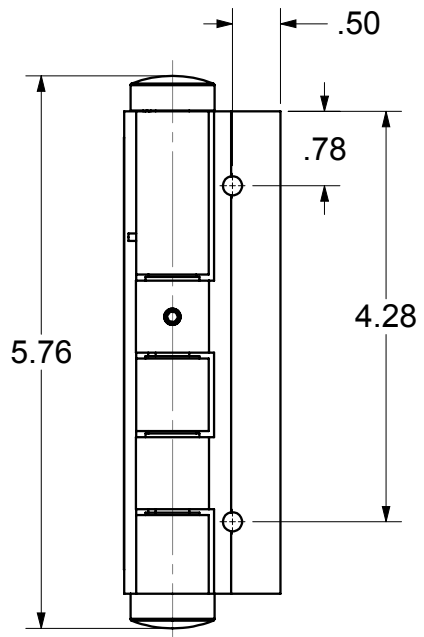
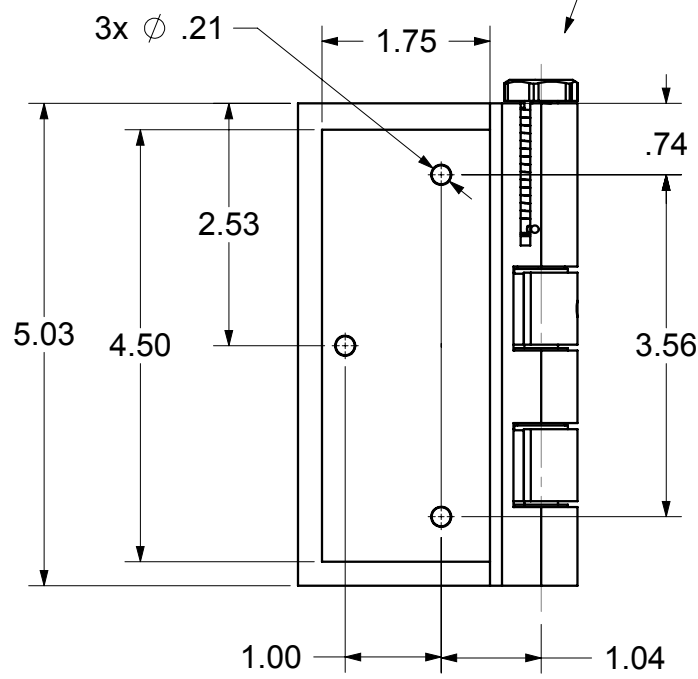


		REVISIONS		
ECR/DCR	REV.	DESCRIPTION	DATE	APPD
-	-	INITIAL RELEASE	01-21-10	-
-	1	CHANGED BOX QTY FROM 100 TO 50	09-22-10	CGS
ECR-0729	2	REVISED MTG HOLE LOCATIONS & SIZES PER CUSTOMER REQUEST	09-11-14	CGS



TOP AND BOTTOM CAPS REMOVED IN THESE VIEWS



PACKAGING INSTRUCTIONS:

- 1) ACCESSORY KIT INCLUDES: 3/32 HEX KEY, TOP CAP, AND BOTTOM CAP, POLYBAGGED.
- 2) (1) POLYBAGGED SET INCLUDES: (1) HINGE, (1) SPACER, (1) ACCESSORY KIT, AND (1) FOLDED INSTRUCTION SHEET
- 3) PACK (50) SETS PER BOX

DIMENSIONS ARE IN INCHES TOLERANCES: FRACTIONAL ± 1/16" ANGULAR: MACH ± 1° BEND ± 1° TWO PLACE DECIMAL ± 0.01 THREE PLACE DECIMAL ± 0.005		
PROPRIETARY AND CONFIDENTIAL THE INFORMATION CONTAINED IN THIS DRAWING IS THE SOLE PROPERTY OF NATIONWIDE INDUSTRIES. ANY REPRODUCTION IN PART OR AS A WHOLE WITHOUT THE WRITTEN PERMISSION OF NATIONWIDE INDUSTRIES IS PROHIBITED.		
SIZE: A DWG. NO. CS-NW093J REV. 2		5" SELF CLOSING HINGE
SCALE: 1:2 WEIGHT:		SHEET 1 OF 1