

ICC Swimming Pool Code Approved Heights
 Standard Picket Spacing: 48in, 54in
 Double Picket Spacing 48in, 54in
 Check local codes before purchasing.

All Panels Are 72in (6ft) Wide

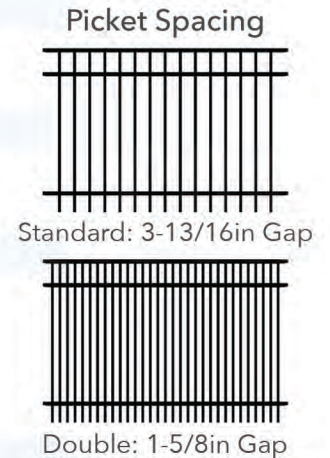
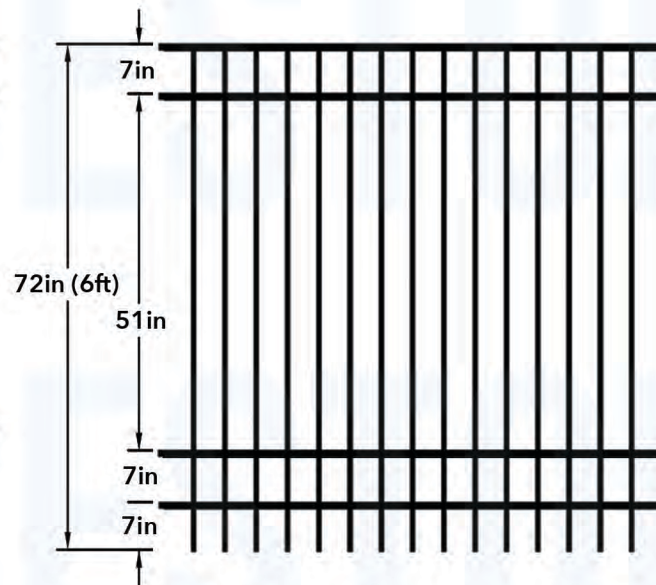
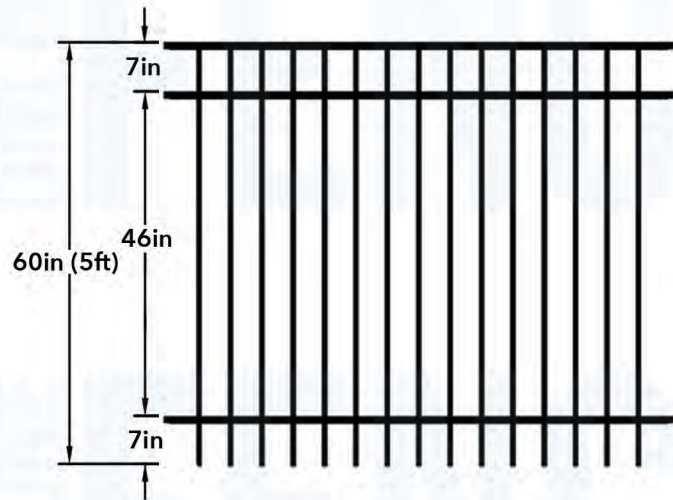
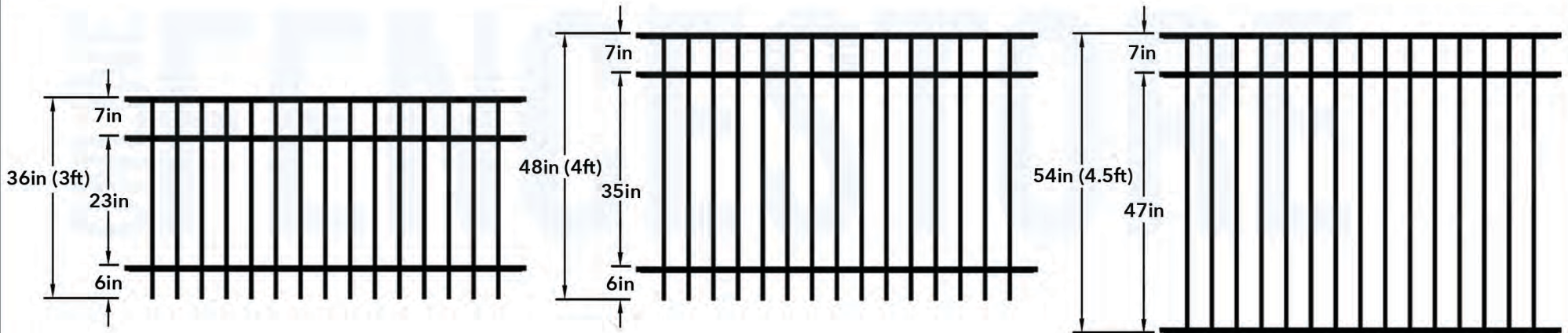
TWO RAIL SMOOTH TOP - RESIDENTIAL GRADE ALUMINUM FENCE PANELS

Picket & Rail Material: 6063-T5 Aluminum
Coating: AAMA 2604 Approved Polyester Powder Coat
Pickets: 5/8in Sq. x 0.050in Wall **Rails:** 1in Sq. x 0.055in Wall
Screws: 410 Hardened Stainless Steel With Cr6 Plating
 Panels can rack 20in over the 6ft span for installations on hills.



All Information Contained is Copyright © OnlineFenceStore.com. All Rights Reserved.

DRAWING NO. OFS-AL-R2RST	
REV NO.	REV DATE



ICC Swimming Pool Code Approved Heights
Standard Picket Spacing: 54in Flush Bottom, 60in, 72in
Double Picket Spacing 48in, 54in, 60in, 72in
 Check local codes before purchasing.

All Panels Are 72in (6ft) Wide

THREE RAIL SMOOTH TOP - RESIDENTIAL GRADE ALUMINUM FENCE PANELS

Picket & Rail Material: 6063-T5 Aluminum
Coating: AAMA 2604 Approved Polyester Powder Coat
Pickets: 5/8in Sq. x 0.050in Wall **Rails:** 1in Sq. x 0.055in Wall
Screws: 410 Hardened Stainless Steel With Cr6 Plating
 Panels can rack 20in over the 6ft span for installations on hills.

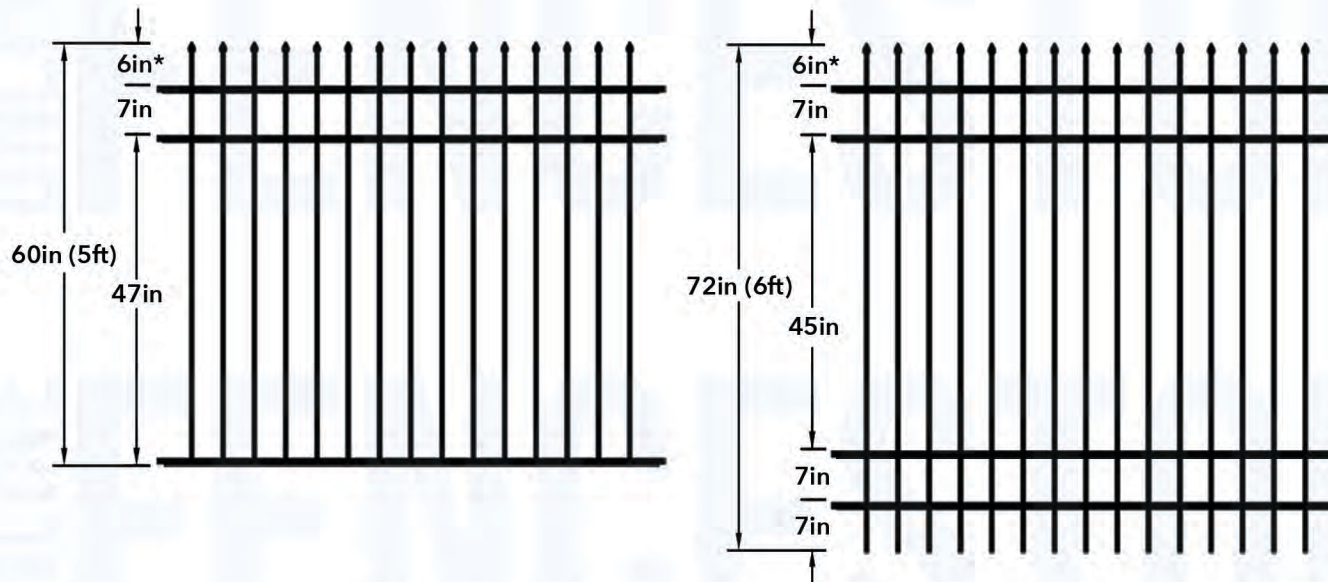
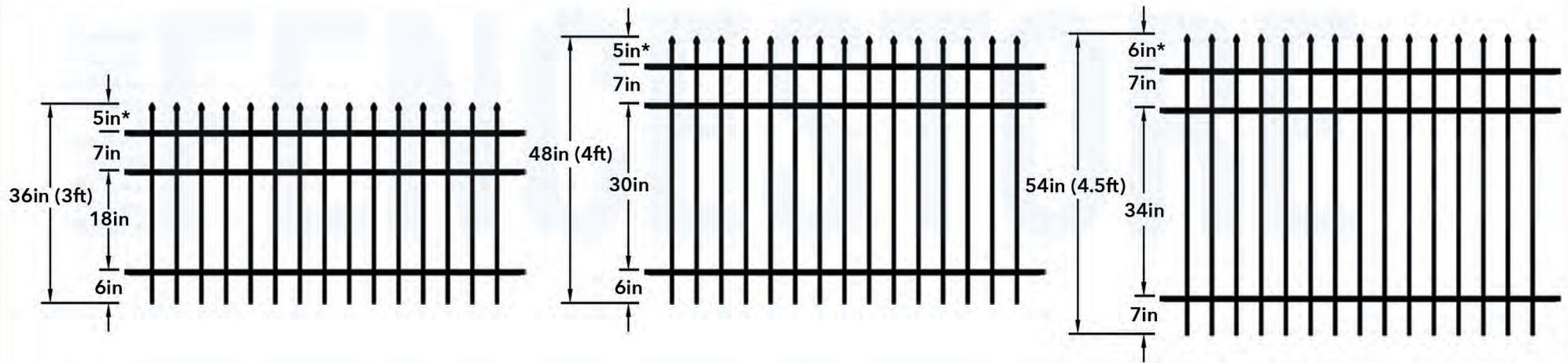
ONLINE FENCESTORE.COM
 YOUR ONLINE SOURCE FOR FENCING, GATES & HARDWARE

All Information Contained is Copyright © OnlineFenceStore.com. All Rights Reserved.

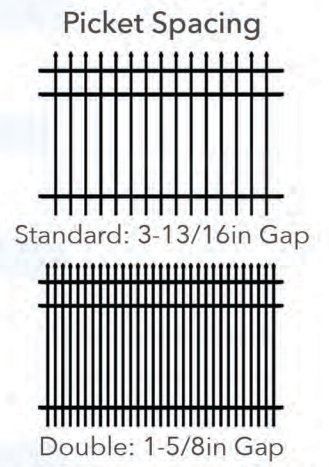
DRAWING NO. OFS-AL-RST

REV NO.

REV DATE



All Panels Are 72in (6ft) Wide



ICC Swimming Pool Code Approved Heights
Standard Picket Spacing:
 60in Flush Bottom, 72in
Double Picket Spacing
 48in, 54in, 60in, 72in
Check local codes before purchasing.

SPEAR POINT TOP - RESIDENTIAL GRADE ALUMINUM FENCE PANELS

Picket & Rail Material: 6063-T5 Aluminum
Coating: AAMA 2604 Approved Polyester Powder Coat
Pickets: 5/8in Sq. x 0.050in Wall **Rails:** 1in Sq. x 0.055in Wall
Screws: 410 Hardened Stainless Steel With Cr6 Plating
Panels can rack 20in over the 6ft span for installations on hills.

* Spear point length from top rail may vary by 1/2in.

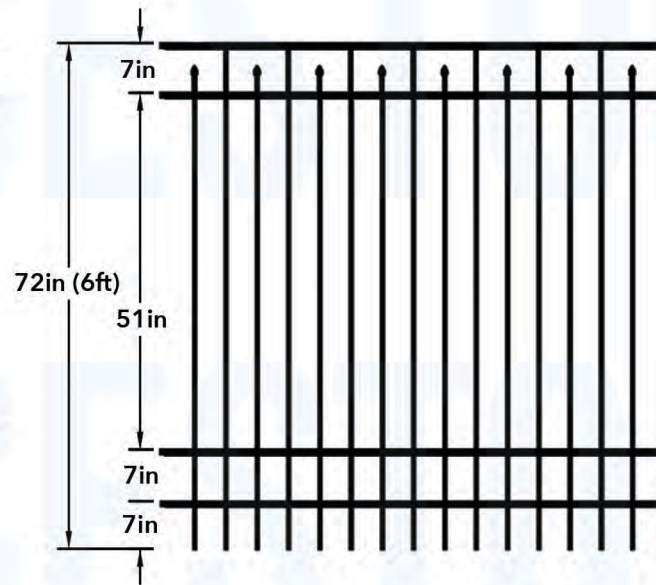
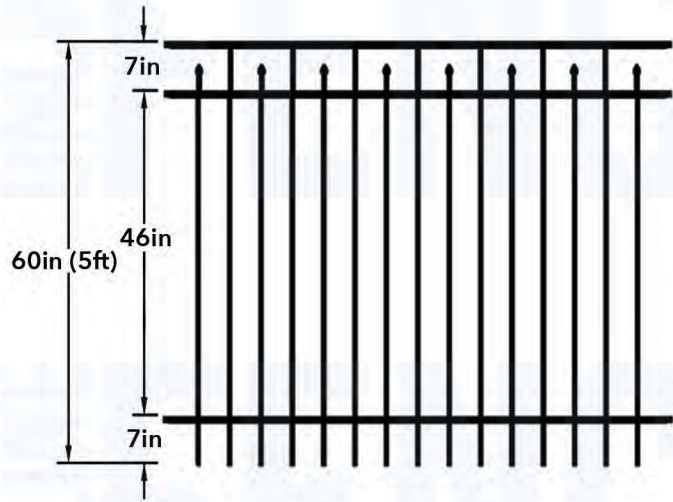
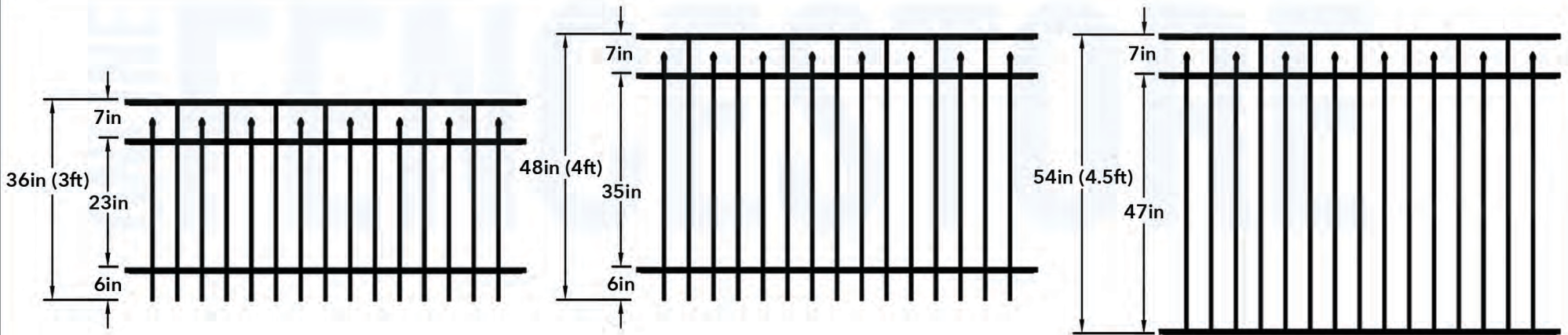
ONLINE FENCESTORE.COM
 YOUR ONLINE SOURCE FOR FENCING, GATES & HARDWARE

All Information Contained is Copyright © OnlineFenceStore.com. All Rights Reserved.

DRAWING NO. OFS-AL-RSPT

REV NO. PLREV23

REV DATE 07/11/23

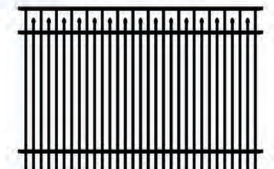


All Panels Are 72in (6ft) Wide

Picket Spacing



Standard: 3-13/16in Gap



Double: 1-5/8in Gap

ICC Swimming Pool Code Approved Heights

Standard Picket Spacing:
54in Flush Bottom, 60in, 72in

Double Picket Spacing

48in, 54in, 60in, 72in

Check local codes before purchasing.

SMOOTH SPEAR POINT TOP - RESIDENTIAL GRADE ALUMINUM FENCE PANELS

Picket & Rail Material: 6063-T5 Aluminum
Coating: AAMA 2604 Approved Polyester Powder Coat
Pickets: 5/8in Sq. x 0.050in Wall **Rails:** 1in Sq. x 0.055in Wall
Screws: 410 Hardened Stainless Steel With Cr6 Plating
Panels can rack 20in over the 6ft span for installations on hills.

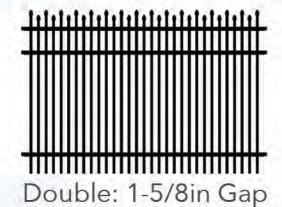
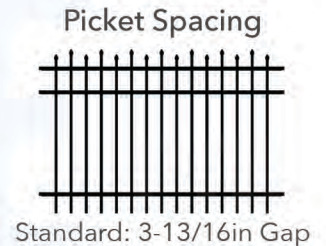
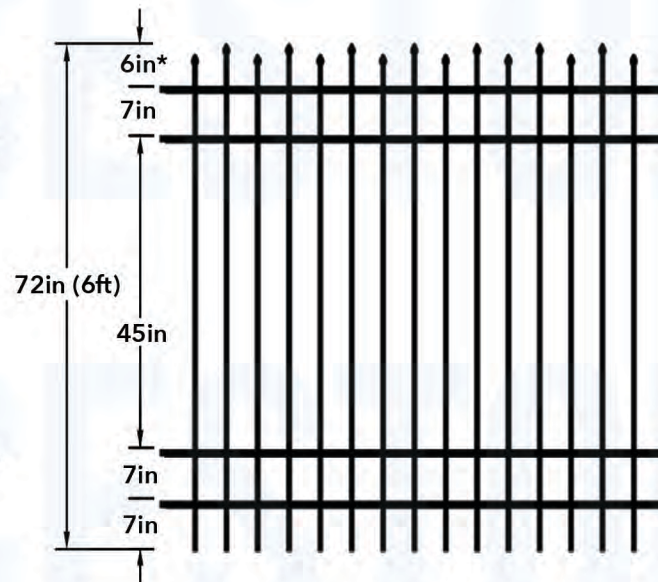
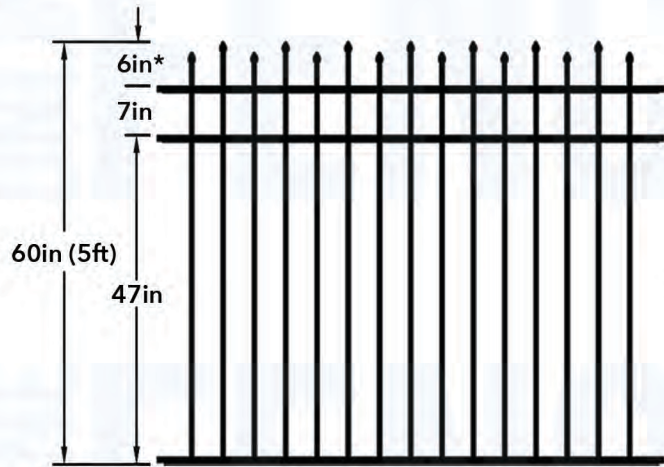
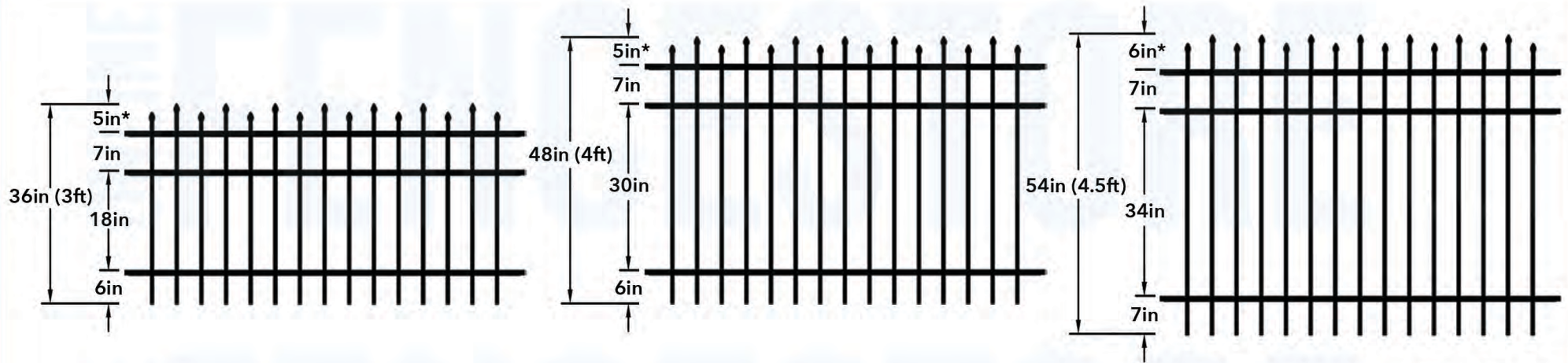
ONLINE FENCESTORE.COM
 YOUR ONLINE SOURCE FOR FENCING, GATES & HARDWARE

All Information Contained is Copyright ©
 OnlineFenceStore.com. All Rights Reserved.

DRAWING NO. OFS-AL-RSSPT

REV NO.

REV DATE



ICC Swimming Pool Code Approved Heights
Standard Picket Spacing:
 60in Flush Bottom, 72in
Double Picket Spacing
 48in, 54in, 60in, 72in
 Check local codes before purchasing.

All Panels Are 72in (6ft) Wide

STAGGERED SPEAR POINT TOP - RESIDENTIAL GRADE ALUMINUM FENCE PANELS

Picket & Rail Material: 6063-T5 Aluminum
Coating: AAMA 2604 Approved Polyester Powder Coat
Pickets: 5/8in Sq. x 0.050in Wall **Rails:** 1in Sq. x 0.055in Wall
Screws: 410 Hardened Stainless Steel With Cr6 Plating
Panels can rack 20in over the 6ft span for installations on hills.

* Spear point length from top rail may vary by 1/2in.

ONLINE FENCESTORE.COM
 YOUR ONLINE SOURCE FOR FENCING, GATES & HARDWARE

All Information Contained is Copyright © OnlineFenceStore.com. All Rights Reserved.

DRAWING NO. OFS-AL-RSTSPT

REV NO. PLREV23

REV DATE 07/11/23